

1) Top cover



### Basic features

<b>Approval/Conformity</b>	CE WEEE cULus UKCA
<b>Basic standard</b>	IEC 60947-5-2
<b>Principle of operation</b>	Signal amplifier
<b>Series</b>	SA-OH
<b>Style</b>	Square Straight connection

### Display/Operation

<b>Adjuster</b>	Slide switch 3 positions Slide switch 2 positions (2x) 3-turn potentiometer
<b>Display</b>	LED green: Power Error - LED red Output function- LED yellow
<b>Power indicator</b>	Green LED
<b>Setting</b>	Sensitivity (Sn) Light-on/dark-on On-/off delay Resolution normal/high

### Electrical connection

<b>Connection</b>	Connector, M8x1-Male, 4-pin
<b>Connection 2</b>	Sensor BOH: M8x1-Male, 3-pin
<b>Contact, surface protection</b>	Gold plated
<b>Electrical version</b>	3-/4-wire
<b>Polarity reversal protected</b>	yes
<b>Protection against device mix-ups</b>	yes
<b>Short-circuit protection</b>	yes

Photoelectric Sensors  
**BAE SA-OH-064-NP-S75G**  
Order Code: BAE0129

**BALLUFF**

**Electrical data**

Load capacitance max. at Ue	100 nF
No-load current I <sub>o</sub> max. at Ue	45 mA
Operating voltage U <sub>b</sub>	15...30 VDC
Rated insulation voltage U <sub>i</sub>	75 V DC
Rated operating current I <sub>e</sub>	80 mA
Rated operating voltage U <sub>e</sub> DC	24 V
Switching frequency	500 Hz
Turn-off delay t <sub>off</sub> max.	1 ms
Turn-on delay t <sub>on</sub> max.	1 ms
Utilization category	DC -13
Voltage drop U <sub>d</sub> max. at I <sub>e</sub>	2 V

**Environmental conditions**

Ambient temperature	-5...55 °C
Contamination scale	3
EN 60068-2-27, Shock	Half-sinus, 30 g <sub>n</sub> , 11 ms, 3x6
EN 60068-2-6, Vibration	10...55 Hz, 1 mm, 5 min
IP rating	IP40

**Functional safety**

MTTF (40 °C)	435.7 a
--------------	---------

**Remarks**

For additional information, refer to user's guide.

For more information about MTTF and B10d see MTTF / B10d Certificate

Indication of the MTTF- / B10d value does not represent a binding composition and/or life expectancy assurance; these are simply experiential values with no warranty implications. These declared values also do not extend the expiration period for defect claims or affect it in any way.

**Interface**

Duration of time function	T = 50 ms
Switching output	NPN normally open/normally closed (NO/NC)
Time function	On/off delay

**Material**

Housing material	PC PA 12
------------------	-------------

**Mechanical data**

Dimension	13.5 x 32.9 x 75.5 mm
Mounting part	DIN EN-50022 rail 35 mm DIN EN-50045 rail 15 mm

**Optical features**

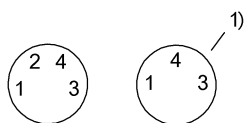
Principle of optical operation	depends on sensor head
Switching function, optical	dark-on/light-on

**Range/Distance**

Range	depends on sensor head
-------	------------------------

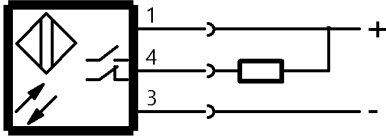
**Connector Drawings**

52094

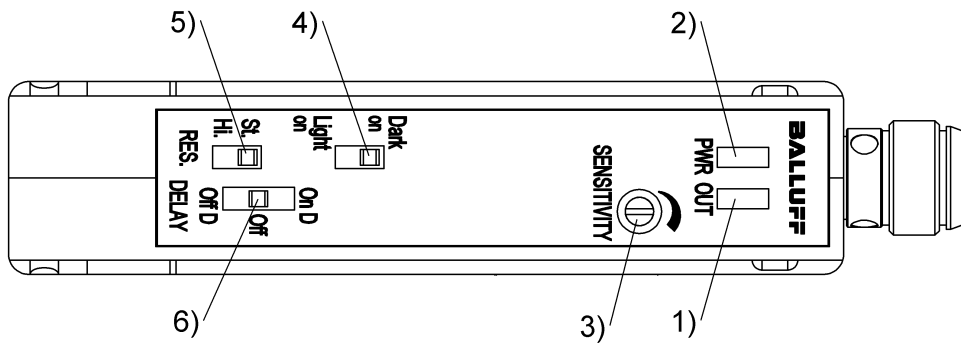


1) Sensor connection

## Wiring Diagrams



## Help Views



- 1) Status-LED OUT
- 2) Status-LED PWR
- 3) Sensitivity
- 4) Light-on/dark-on
- 5) Resolution
- 6) Turn-on/off delay